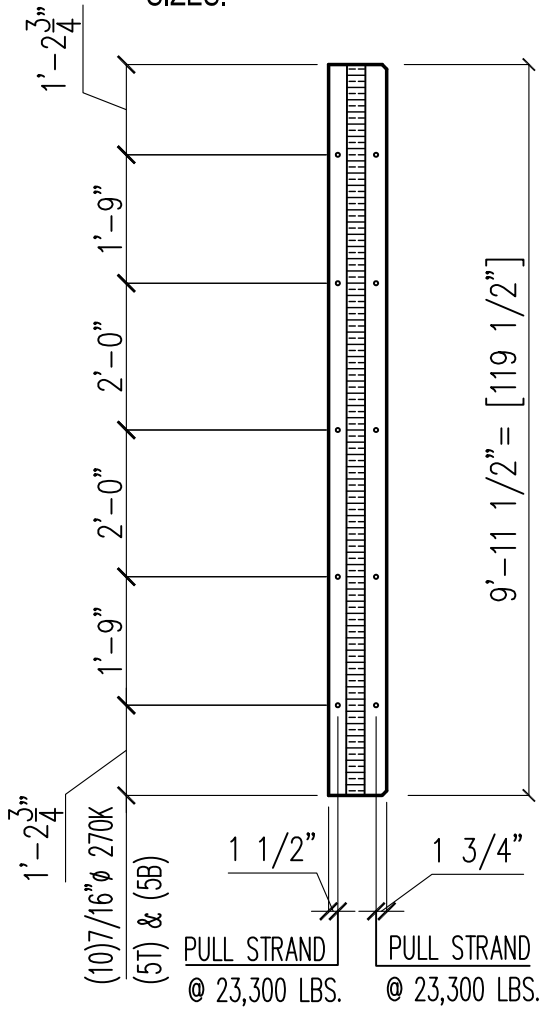


**ATMI PRECAST
DESIGN CODE DETAILS
TABLE OF CONTENTS
07/08/2008**

DC10A	10' Wide Panel Without Openings	07/08/08
DC10B	10' Wide Panel With Openings #1	07/08/08
DC12A	12' Wide Panel Without Openings	07/08/08
DC12B	12' Wide Panel With Openings # 1	07/08/08
DC12S	12' Wide Panel With Openings - Special	07/08/08
DC14A	14' Wide Panel Without Openings	07/08/08
DC14B	14' Wide Panel With Openings #1	07/08/08
DC14S	14' Wide Panel With Opening – Special	07/08/08

NOTE:
SEE PIECE PART SECTION XX
FOR PANEL THICKNESS, INSUL.,
BOTTOM WYTHE, & TOP WYTHE
SIZES.



ISSUED: 07-08-08

REVISED:



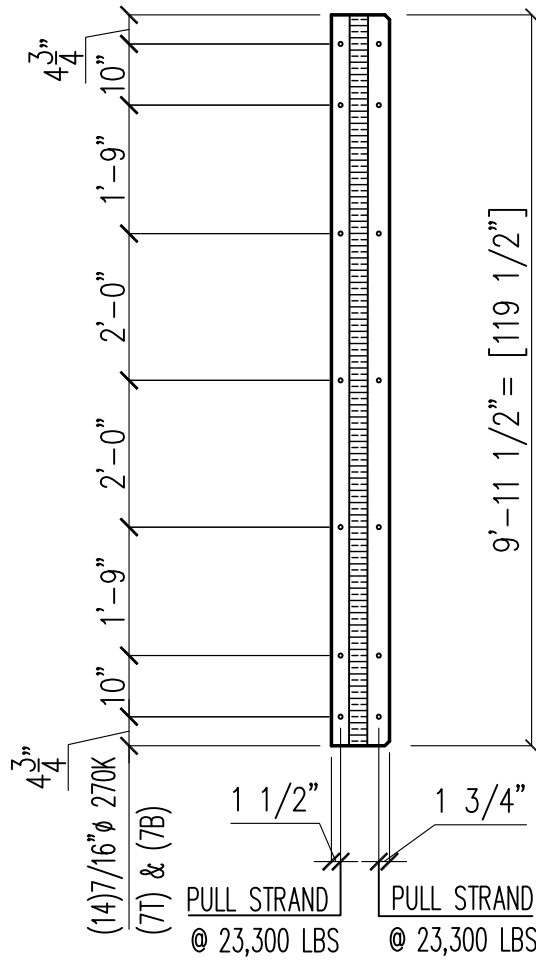
STANDARD DESCRIPTION FOR PANEL CODE:

10' Wide Panel Without Openings

DESIGN CODE NO.:

DC 10A

NOTE:
 SEE PIECE PART SECTION XX
 FOR PANEL THICKNESS, INSUL.,
 BOTTOM WYTHE, & TOP WYTHE
 SIZES.



ISSUED: 07-08-08

REVISED:



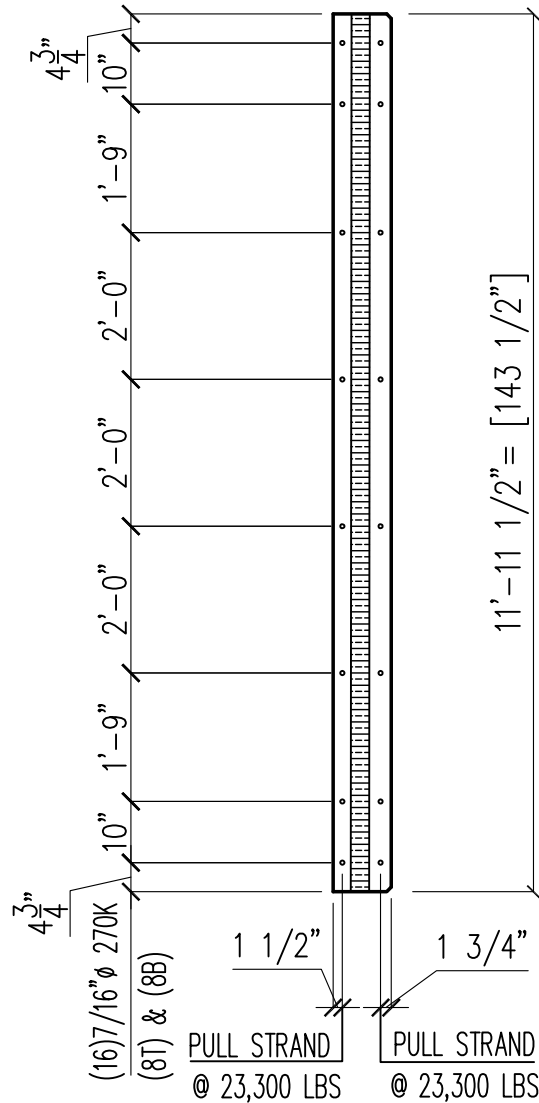
STANDARD DESCRIPTION FOR PANEL CODE:

10' Wide Panel With Openings #1

DESIGN CODE NO.:

DC 10B

NOTE:
 SEE PIECE PART SECTION XX
 FOR PANEL THICKNESS, INSUL.,
 BOTTOM WYTHE, & TOP WYTHE
 SIZES.



ISSUED: 07-08-08

REVISED:



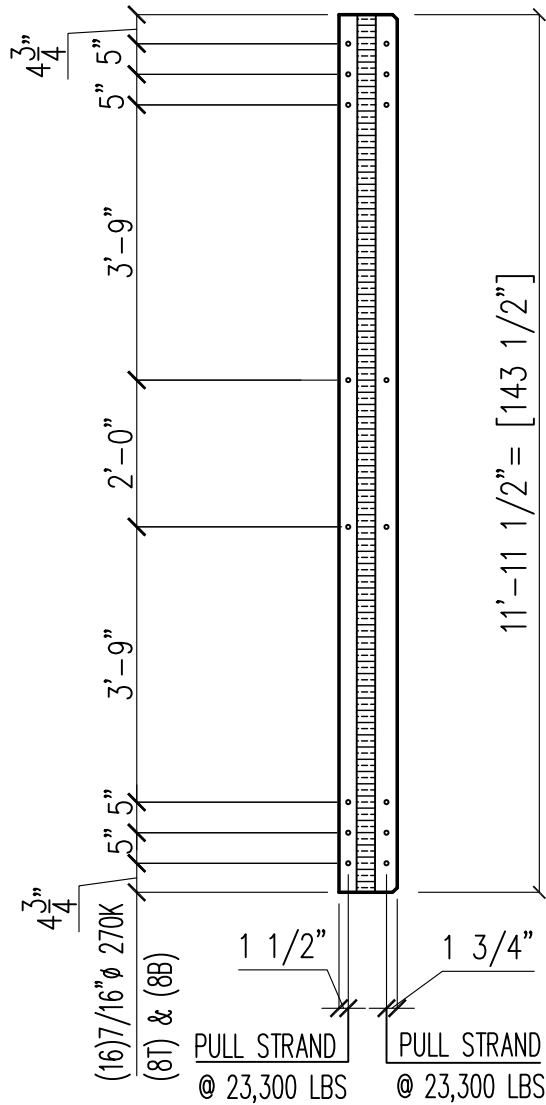
STANDARD DESCRIPTION FOR PANEL CODE:

12' Wide Panel Without Openings

DESIGN CODE NO.:

DC 12A

NOTE:
SEE PIECE PART SECTION XX
FOR PANEL THICKNESS, INSUL.,
BOTTOM WYTHER, & TOP WYTHER
SIZES.



ISSUED: 07-08-08

REVISED:



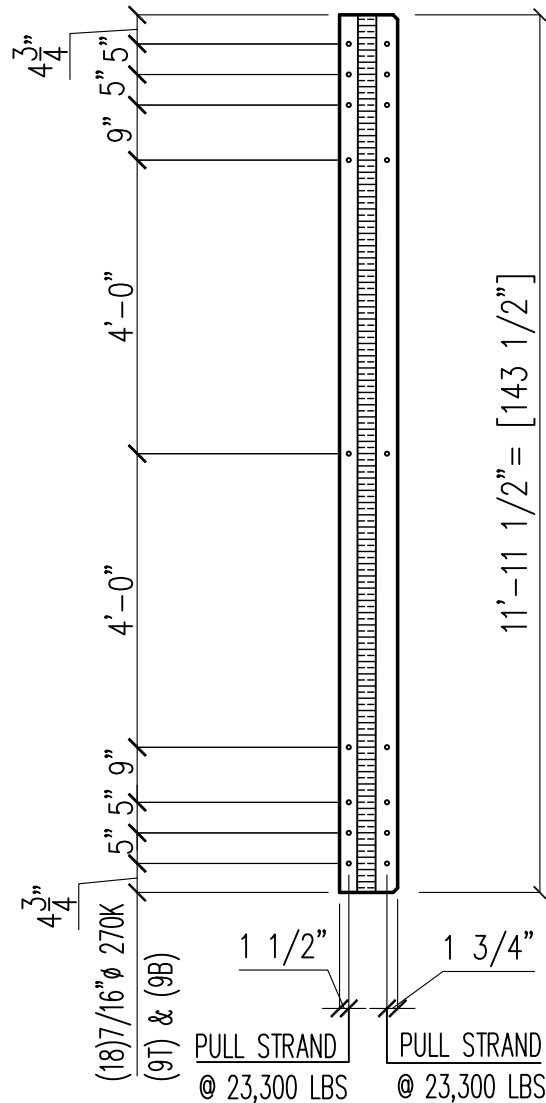
STANDARD DESCRIPTION FOR PANEL CODE:

12' Wide Panel With Openings #1

DESIGN CODE NO.:

DC 12B

NOTE:
SEE PIECE PART SECTION XX
FOR PANEL THICKNESS, INSUL.,
BOTTOM WYTBE, & TOP WYTBE
SIZES.



PATTERN WILL NOT WORK ON
TABLES 16 & 17

ISSUED: 07/08/08

REVISED:



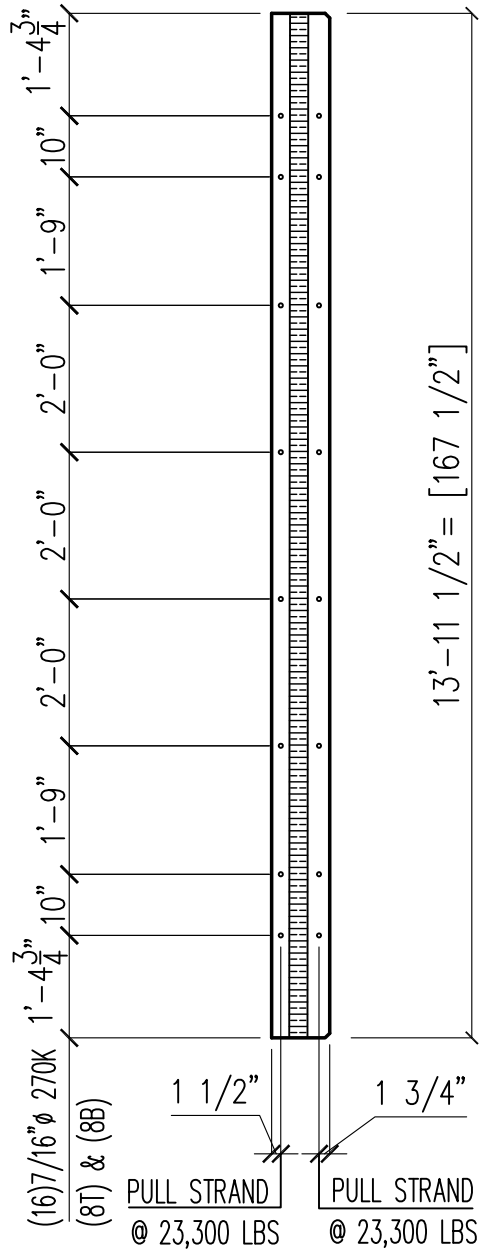
SPECIAL DESCRIPTION FOR PANEL CODE:

12' Wide Panel With Openings – Special

DESIGN CODE NO.:

DC 12S

NOTE:
 SEE PIECE PART SECTION XX
 FOR PANEL THICKNESS, INSUL.,
 BOTTOM WYTHE, & TOP WYTHE
 SIZES.



ISSUED: **07-08-08**

REVISED:



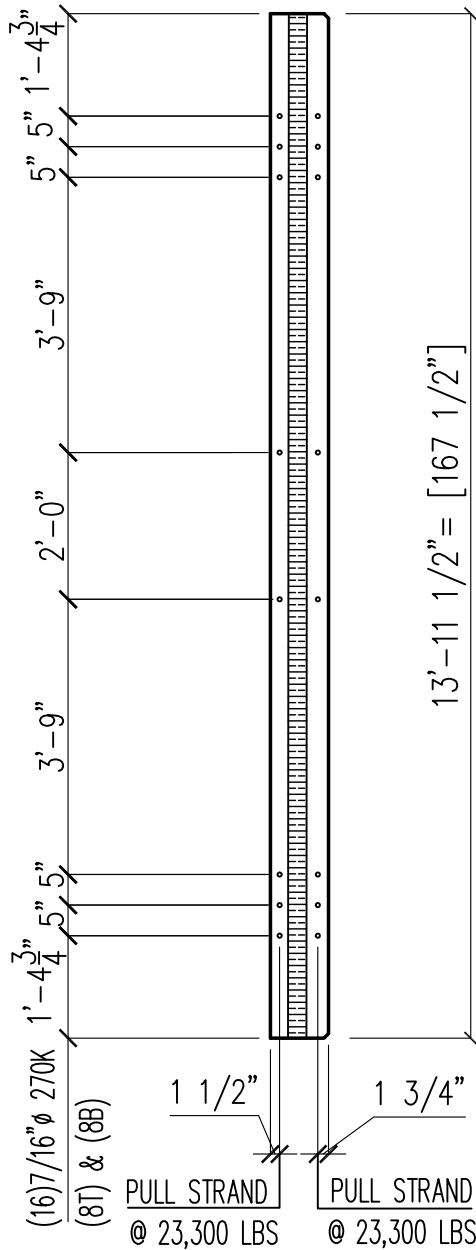
STANDARD DESCRIPTION FOR PANEL CODE:

14' Wide Panel Without Openings

DESIGN CODE NO.:

DC 14A

NOTE:
SEE PIECE PART SECTION XX
FOR PANEL THICKNESS, INSUL.,
BOTTOM WYTHE, & TOP WYTHE
SIZES.



ISSUED: 07-08-08

REVISED:



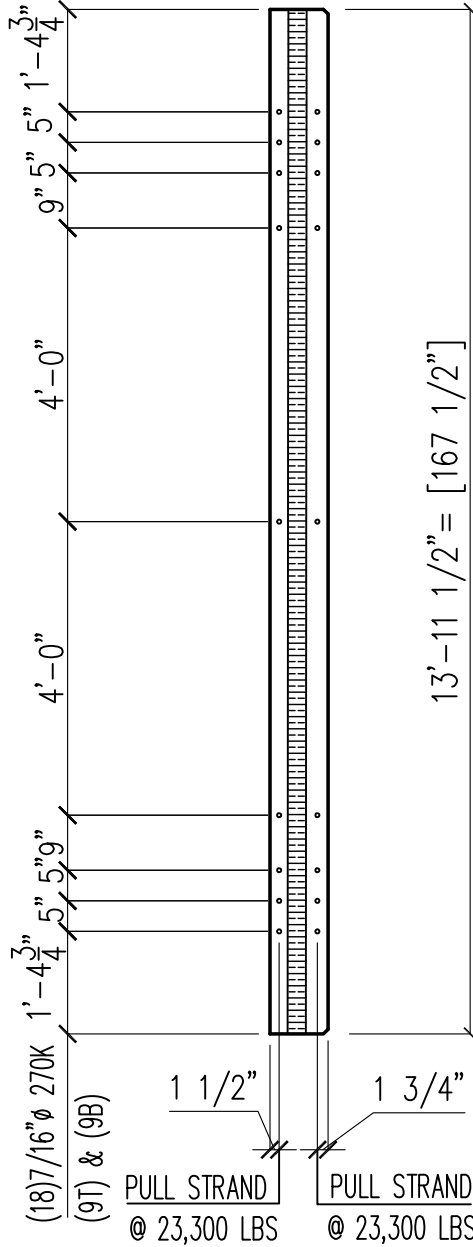
STANDARD DESCRIPTION FOR PANEL CODE:

14' Wide Panel With Openings #1

DESIGN CODE NO.:

DC 14B

NOTE:
 SEE PIECE PART SECTION XX
 FOR PANEL THICKNESS, INSUL.,
 BOTTOM WYTHER, & TOP WYTHER
 SIZES.



PATTERN WILL NOT WORK ON
 TABLES 16 & 17

ISSUED: 07/08/08

REVISED:



SPECIAL DESCRIPTION FOR PANEL CODE:

14' Wide Panel With Opening - Special

DESIGN CODE NO.:

DC 14S